

B-Line



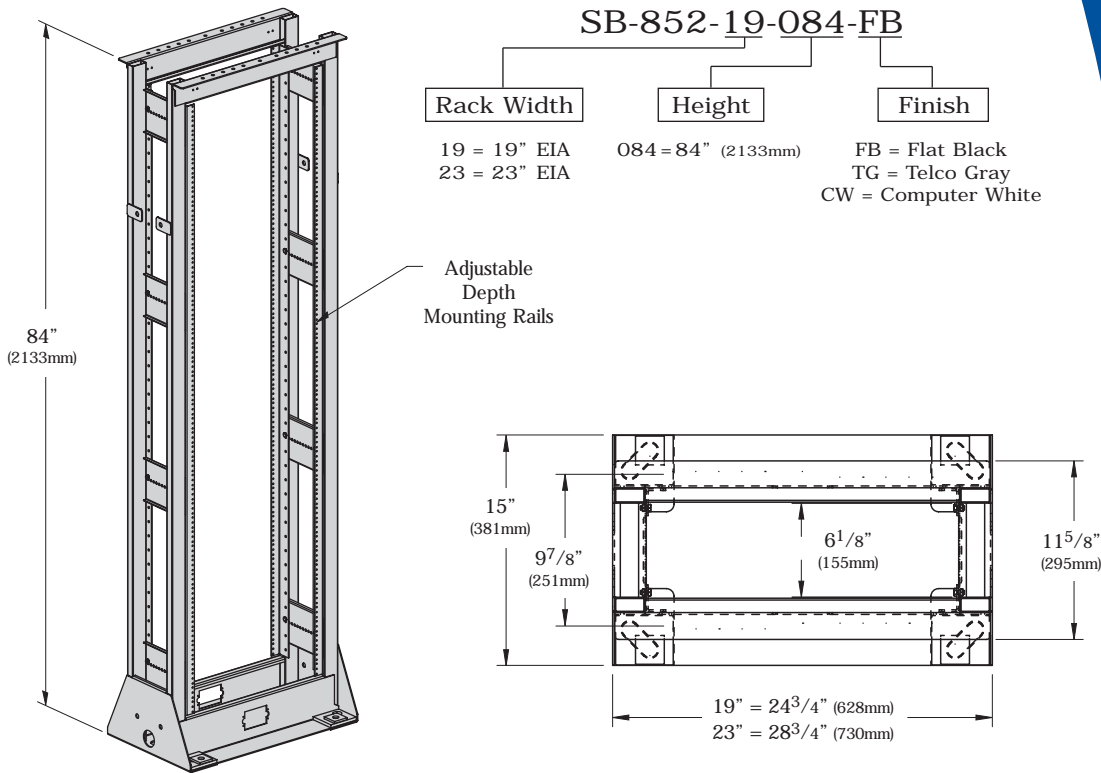
SYSTEMS THAT MAKE SENSE

A D V A N T A G E

Comm/Data

New

Seismic Relay Rack



Features

- Independent testing conducted in accordance with ICBO AC156 standard for use up to 900 lbs. (408kg).
- Conformance to EIA-310-D.
- Mounting rail spacing is adjustable from 3" (76mm) to 8" (203mm).
- 45 rack mounting units.
- Mounting rails are zinc plated for grounding conductivity.
- Mounting rails may be supplied with other industry standard spacing or hole style such as cage nuts.
- Open top, bottom, and sides permit unlimited cable management options.
- Industry standard mounting holes on sides allow attachment of vertical cable managers.
- Top rack recess allows for installation of a 6" (150mm) wire basket tray or cable runway.
- Openings in front and rear of base for duplex receptacle mounting.
- Holes for grounding provided in four locations.
- Tubular steel frame provides a high degree of strength to rack ratio.
- US and foreign patents pending.
- Standard finishes: Flat Black Powder Coat (FB), Telco Gray (TG) or Computer White (CW)

509 West Monroe Street • Highland, Illinois 62249
Phone: 800-851-7415 • Fax: 618-654-1917
www.cooperbline.com

COOPER B-Line

Comm/Data

BA163COM