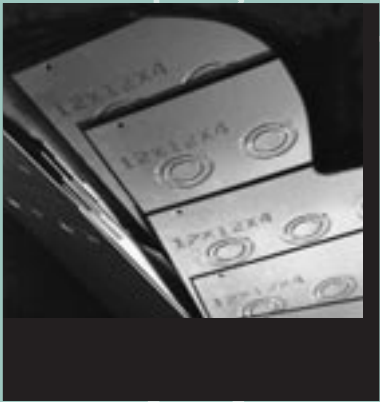


COOPER B-Line



U2M200P



B-Line 



M2M200PPD

APPLICATION

- For use as mobile home service equipment
- Single meter position
- Designed to receive watt-hour meters that meet ANSI C12.10

CONSTRUCTION

- Type 3R construction
- Direct burial
- Isolated compartments for customers equipment, circuit breakers and metering service
- Hinged disconnect cover with padlock provision
- Louvered line section cover for ventilation
- Separate load exit enclosure
- Snap type sealing ring included
- Ring style

STANDARDS

- UL 67 listed, complies with ANSI C12.7

FINISH

- ANSI 61 gray acrylic electrocoat finish

ACCESSORIES

- Screw type sealing ring — catalog #25016D
- Steel or clear lexan covers for socket opening
- Load exit enclosure - catalog # 3245KIT

Mobile Home Metering

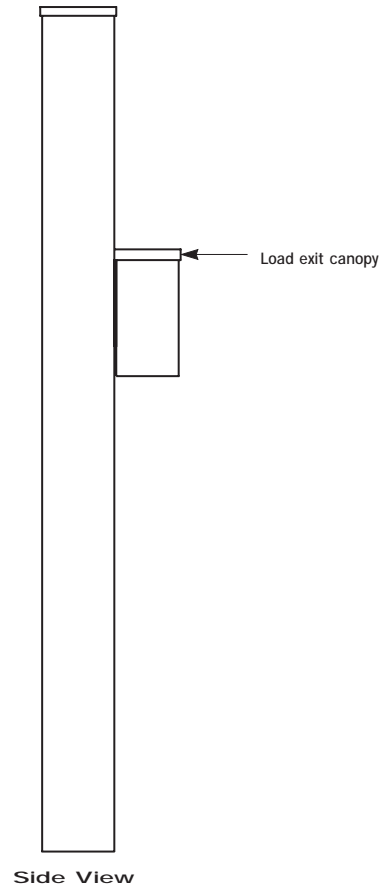
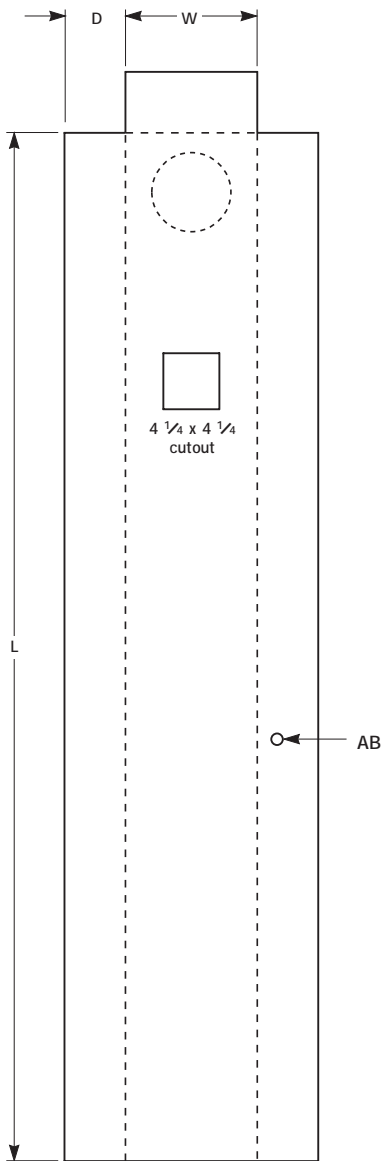
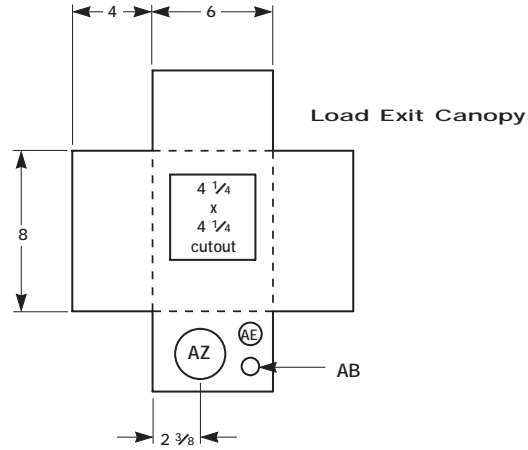
1Ø 3W

CONDUCTOR LUG RANGE

CATALOG NUMBER	MAIN DISCONNECT	AIC RATING	AMPACITY MAX.	VOLTAGE	NUMBER OF JAWS	PHASE CONDUCTOR		NEUTRAL CONDUCTOR	HEIGHT (H)	WIDTH (W)	DEPTH (D)
						LINE	LOAD				
M1M100PDMS66	100A 2P CB & 100A 2P Prov.	10K*	100	120/240	4	STUDS	MAIN CIRCUIT BREAKER	6 AWG - 350 kcmil	78	10	4 9/8
M1M100PD	100A 2P CB & 100A 2P Prov.	10K*	100	120/240	4	6 AWG - 350 kcmil	MAIN CIRCUIT BREAKER	6 AWG - 350 kcmil	78	10	4 9/8
M1M125PDMS66	125A 2P CB & 100A 2P Prov.	10K*	125	120/240	4	STUDS	MAIN CIRCUIT BREAKER	6 AWG - 350 kcmil	78	10	4 9/8
M1M125PD	125A 2P CB & 100A 2P Prov.	10K*	125	120/240	4	6 AWG - 350 kcmil	MAIN CIRCUIT BREAKER	6 AWG - 350 kcmil	78	10	4 9/8
M2M150PDMS67	150A 2P CB & 100A 2P Prov.	10K*	150	120/240	4	STUDS	MAIN CIRCUIT BREAKER	6 AWG - 350 kcmil	78	10	4 9/8
M2M150PD	150A 2P CB & 100A 2P Prov.	10K*	150	120/240	4	6 AWG - 350 kcmil	MAIN CIRCUIT BREAKER	6 AWG - 350 kcmil	78	10	4 9/8
M2M175PDMS67	175A 2P CB & 100A 2P Prov.	10K*	175	120/240	4	STUDS	MAIN CIRCUIT BREAKER	6 AWG - 350 kcmil	78	10	4 9/8
M2M175PD	175A 2P CB & 100A 2P Prov.	10K*	175	120/240	4	6 AWG - 350 kcmil	MAIN CIRCUIT BREAKER	6 AWG - 350 kcmil	78	10	4 9/8
M2M200PDMS67	200A 2P CB & 100A 2P Prov.	10K*	200	120/240	4	STUDS	MAIN CIRCUIT BREAKER	6 AWG - 350 kcmil	78	10	4 9/8
M2M200PD	200A 2P CB & 100A 2P Prov.	10K*	200	120/240	4	6 AWG - 350 kcmil	MAIN CIRCUIT BREAKER	6 AWG - 350 kcmil	78	10	4 9/8
M2M200PPDMS67	200A 2P CB & (2) 100A 2P Prov.	10K*	200	120/240	4	STUDS	MAIN CIRCUIT BREAKER	6 AWG - 350 kcmil	78	10	4 9/8
M2M200PPD	200A 2P CB & (2) 100A 2P Prov.	10K*	200	120/240	4	6 AWG - 350 kcmil	MAIN CIRCUIT BREAKER	6 AWG - 350 kcmil	78	10	4 9/8

* 22K AIC main circuit breaker available upon request.

Note: All provisions accept Westinghouse Quicklag "HQ", General Electric "THQL" and Siemens Type "QP" and "HQ" type plug-in circuit breakers.



Knockouts — Conduit Sizes

- AB = 1/2"
- AE = 3/4" - 1/2"
- AZ = 2" - 1 1/2" - 1 1/4" - 1"



U2M200PP

APPLICATION

- For use as mobile home service equipment
- Single meter position
- Designed to receive watthour meters that meet ANSI C12.10
- Overhead or underground feed
- Surface mount

CONSTRUCTION

- Type 3R construction
- Padlockable disconnect cover
- AW hub provision
- Provisions for additional circuit breakers
- Snap type sealing ring included
- Ring style

STANDARDS

- UL 67 listed, complies with ANSI C12.7

FINISH

- ANSI 61 gray acrylic electrocoat finish

ACCESSORIES

- Flush trim kit — catalog #FK1430
- Screw type sealing ring — catalog #25016D
- Steel or clear lexan covers for socket opening
- Hubs

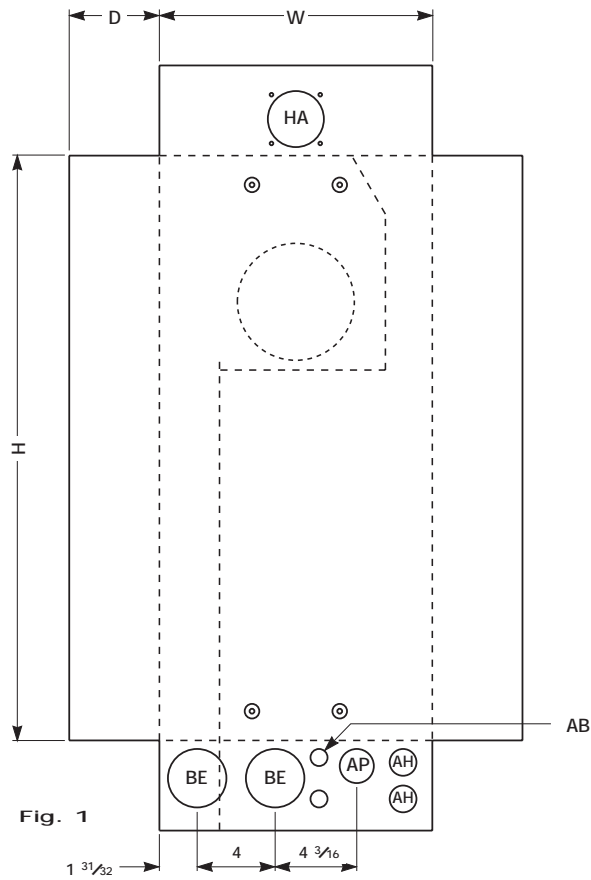
1Ø 3W

CONDUCTOR LUG RANGE

CATALOG NUMBER	MAIN DISCONNECT	AIC RATING		AMPACITY	VOLTAGE	NUMBER OF JAWS	HUB PROV.	PHASE CONDUCTOR		NEUTRAL CONDUCTOR	FIGURE NUMBER	HEIGHT (H)	WIDTH (W)	DEPTH (D)
		STD.	MAX.					LINE	LOAD					
U2M200P	200A 2P CB & 2P Prov.	10K*	22K	200	120/240	4	AW	6 AWG - 250 kcmil	CIRCUIT BREAKER	6 AWG - 250 kcmil	Fig. 1	30	14	4 5/8
U2M200PP	200A 2P CB & (2) 2P Prov.	10K*	22K	200	120/240	4	AW	6 AWG - 250 kcmil	CIRCUIT BREAKER	6 AWG - 250 kcmil	Fig. 1	30	14	4 5/8

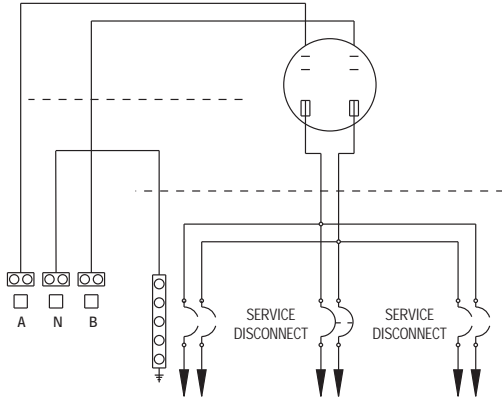
Note: All provisions accept Westinghouse Quicklag "HQP", General Electric "THQL" and Siemens Type "QP" and "HQ" type plug-in circuit breakers.

The sum of the main disconnects may not exceed 250 amperes

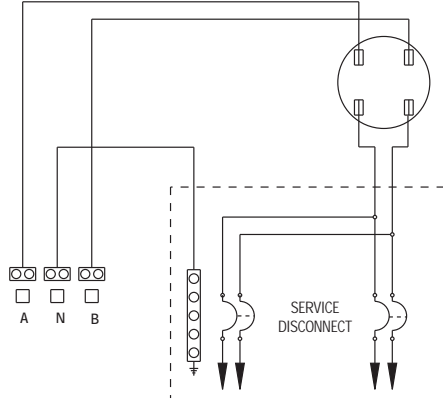


Knockouts — Conduit Sizes

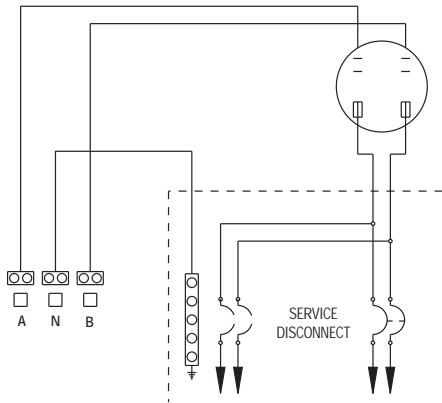
- AB = 1/2"
- AH = 1" - 3/4"
- AP = 1 1/4" - 1" - 3/4" - 1/2"
- BE = 2 1/2" - 2" - 1 1/2" - 1 1/4"
- HA = AW HUB



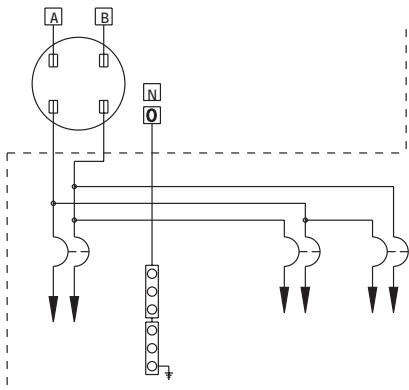
Catalog #
M2M200PPD



Catalog #
M1M100PD
M1M125PD
M1M100PDMS66
M1M125PDMS66

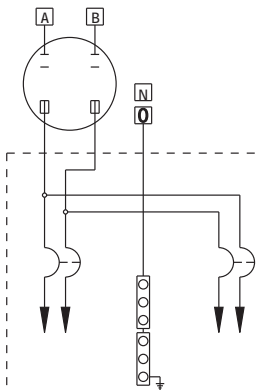


Catalog #
M2M150PD
M2M175PD
M2M200PD
M2M150PDMS67
M2M175PDMS67
M2M200PDMS67
M2M200PPDMS67



The sum of disconnects ampere rating cannot exceed 125% of the continuous ampere rating of the socket. Do not use as lighting and appliance branch-circuit panelboard.

Catalog #
U2M200PP



The sum of disconnects ampere rating cannot exceed 125% of the continuous ampere rating of the socket.

Catalog #
U2M200P

